

Technical data sheet



Product features

Semi automatic clam grill

Model	SAP Code	00009992
--------------	-----------------	----------



- Top type: Smooth
- Griddle dimensions [mm x mm]: 650 x 480 + 320 x 380 + 320 x 380
- Griddle thickness [mm]: 10.00
- Container for liquid fat: Yes
- Independent heating zones: Separate control for each heating zone on the bottom plate and for the top plates
- Maximum device temperature [°C]: 300
- Surface finish: polished chrome 0.03 mm

SAP Code	00009992	Net Weight [kg]	90.00
Net Width [mm]	658	Power electric [kW]	12.000
Net Depth [mm]	760	Griddle dimensions [mm x mm]	650 x 480 + 320 x 380 + 320 x 380
Net Height [mm]	442	Top type	Smooth

Technical data sheet



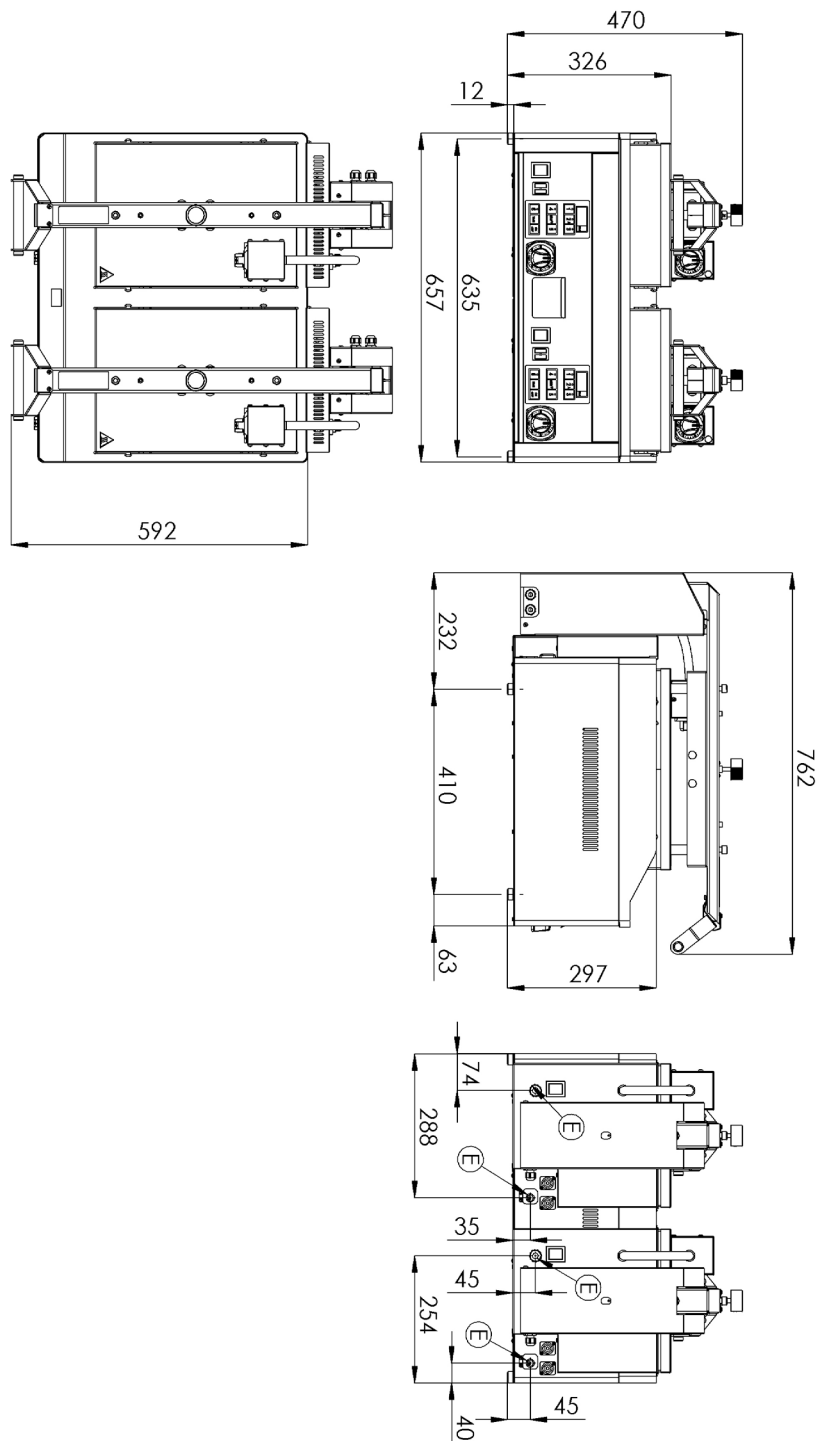
Technical drawing

Semi automatic clam grill

Model

SAP Code

00009992



Technical data sheet



Technical parameters

Semi automatic clam grill

Model

SAP Code

00009992

1. SAP Code:

00009992

2. Net Width [mm]:

658

3. Net Depth [mm]:

760

4. Net Height [mm]:

442

5. Net Weight [kg]:

90.00

6. Gross Width [mm]:

725

7. Gross depth [mm]:

800

8. Gross Height [mm]:

564

9. Gross Weight [kg]:

99.00

10. Device type:

Neutral unit

11. Construction type of device:

Table top

12. Power electric [kW]:

12.000

13. Protection of controls:

IPX4

14. Material:

AISI 430

15. Indicators:

operation and warm-up

16. Surface finish:

polished chrome 0.03 mm

17. Maximum device temperature [°C]:

300

18. Minimum device temperature [°C]:

50

19. Griddle dimensions [mm x mm]:

650 x 480 + 320 x 380 + 320 x 380

20. Griddle thickness [mm]:

10.00

21. Container for liquid fat:

Yes

22. Independent heating zones:

Separate control for each heating zone on the bottom plate and for the top plates

23. Uniform heating:

Yes

24. Top type:

Smooth